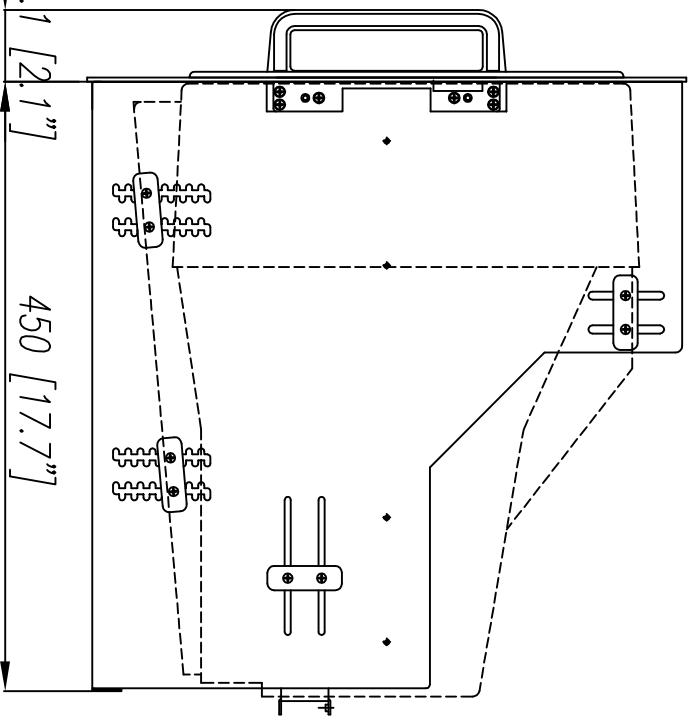
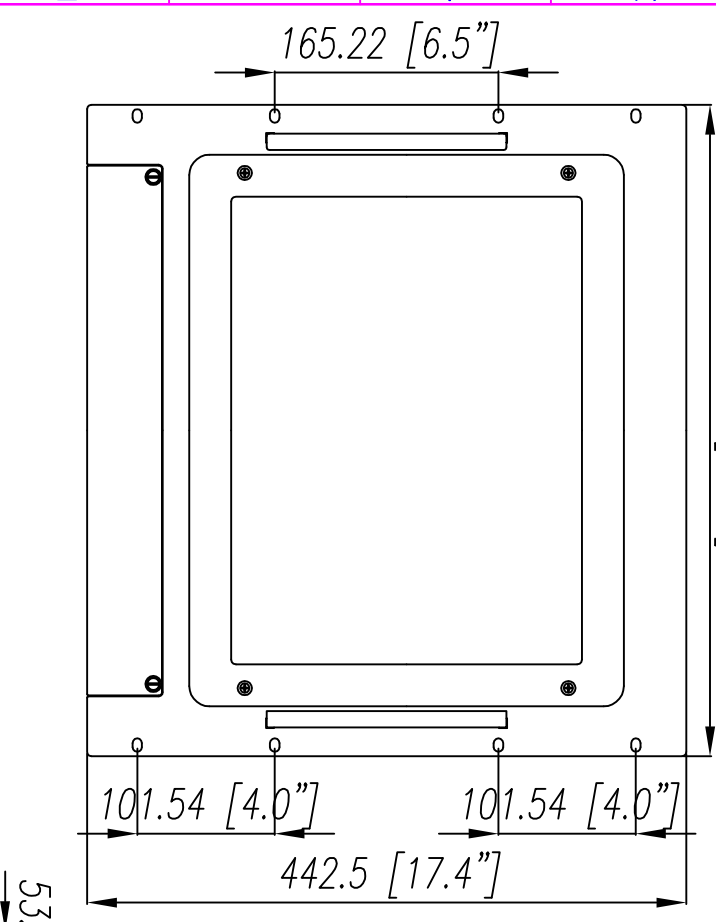
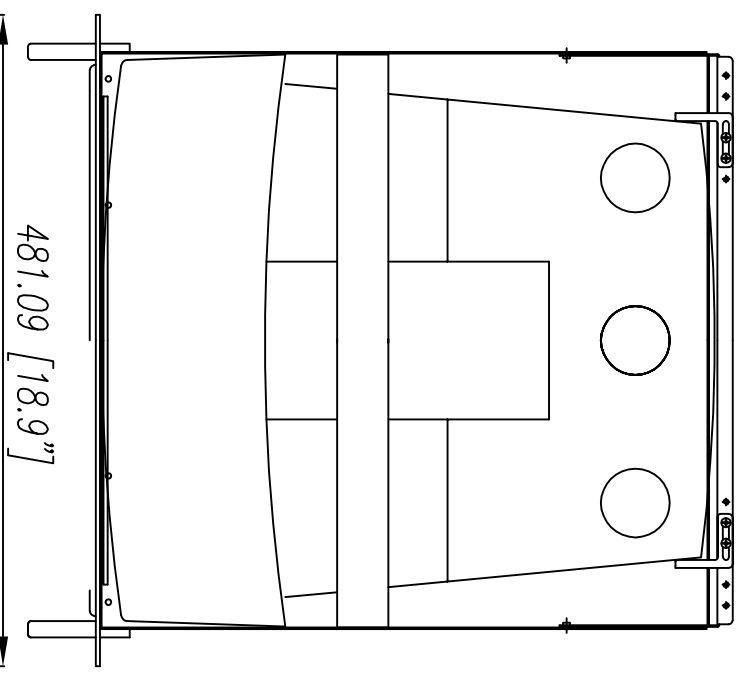


REVISION	DATE	DESCRIPTION	SIGNATURE



617

<p>PROFESSIONAL NOTE - Intentional The drawing contains proprietary information and is the property of JOYANGCI. It is to be used only for the purpose specified and is not to be reproduced or used in any other manner without the written permission of JOYANGCI. In whole or in part. Except as noted, all dimensions are in millimeters unless otherwise specified.</p>			
<p>JOYANGCI INC. BMT</p>		<p>MATERIAL SECC T=1.2</p>	
<p>PROJ. NO. 617</p>		<p>TOLERANCES UNLESS NOTED</p>	
<p>SCALE 1:2</p>		<p>DECIMAL XX ±0.12</p>	
<p>DO NOT SCALE DIMS</p>		<p>FRAC. XX ±0.25</p>	
<p>MODEL 617</p>		<p>ANGLES X ±1.50</p>	
<p>CHK. 魏民文</p>		<p>PART NO.</p>	
<p>DGN. 魏民文</p>		<p>UNIT MM</p>	
<p>DATE 98/3/26</p>		<p>DIA. DRAW</p>	
<p>DRW. 魏民文</p>		<p>FILE NO. 617-DIA</p>	
<p>UNIT MM</p>		<p>SHT 1 OF 1</p>	
<p>SIZE A1</p>		<p>REV. X1</p>	